

POLY DECKBOARD P/N: 50105-11

Use Ancra's Poly Deckboard with the Vers-A-Deck™ system instead of plywood!



DURABLE

- Withstands forklift abuse that destroys plywood panels.
- Tested to demonstrate durability under load & vibration.
- Reduces purchase frequency.

HIGH DENSITY POLYETHYLENE

Tough high density polyethylene has excellent low temperature performance, down to -40°F.

- Splinter Proof - Reduces labor to clean out trailers and docks - longer life than plywood
- Stackable - Nests for storage
- Durable - Reduces purchase frequency
- Resistant to moisture and adverse weather conditions
- 50% less weight than typical plywood



Ancra International, LLC
2685 Circleport Drive, Erlanger, KY 41018

United States
Phone: (800) 233-5138 • Fax: (800) 347-2627
Email: cargo-sales@ancra.com
Website: www.ancra.com

Canada
520 Beards Lane, Suite A, Woodstock, Ontario N4S 7W3
Customer Service: (866) 962-0055
Fax: (866) 792-0058 • Email: ancraCanada@ancra.com
Website: www.ancra.com



Vers--Deck™

NEXT GENERATION DECKING SYSTEM

THE MOST VERSATILE FREIGHT LOADING OPTION



& FEATURES & BENEFITS

- + Flexibility to Use both Vers-A-Beams and E Beams in the Same System at the Same Deck Height
- + Easy to Maintain & Repair
- + Deck at Multiple Heights
- + Deck System Stores at the Ceiling
- + Low Profile Trigger Assembly
- + Maximize Profits
- + 2 Year Warranty
- + Increase Load Average
- + Customize to fit your fleet's needs
- + Reduced Damage Claims by Avoiding Double Stacking of Freight



ANCRA ENGINEERED PRODUCTS GROUP
YOUR DECKING & LOADING SYSTEMS SPECIALISTS!





Vers-A-Deck

NEXT GENERATION DECKING SYSTEM

CONFIGURATIONS



16 INCH SPACING



24 INCH SPACING

CARGO WEIGHT LIMIT PER DECKING POSITION

BEAM TYPE	24" SPACING	16" SPACING
Low Profile	2250 lbs 1020 kgs	3000 lbs 1360 kgs

NOTE: A decking position is typically made up of two pallets.

SERIES E STRAP ASSEMBLIES

Strap Assemblies with Series E Track Spring Fittings will work in any Vers-A-Deck Track. Various options available.



40602-19
Series E Strap Assembly - 20 ft / 6.0 m



47608-21
Series E Fitting



MAINTENANCE 8.5" x 11" Mountable Warning and Maintenance Placard should be visible in trailers with the Vers-A-Deck system.

LUBRICATION

- Track does not normally require lubrication. If needed, use a high performance penetrating oil.
- End fittings should NOT be lubricated.

REPAIR:

- Replace or repair damaged components as necessary to maintain proper function.
- See Vers-A-Deck Repair & Parts Manual for details.



50459-10

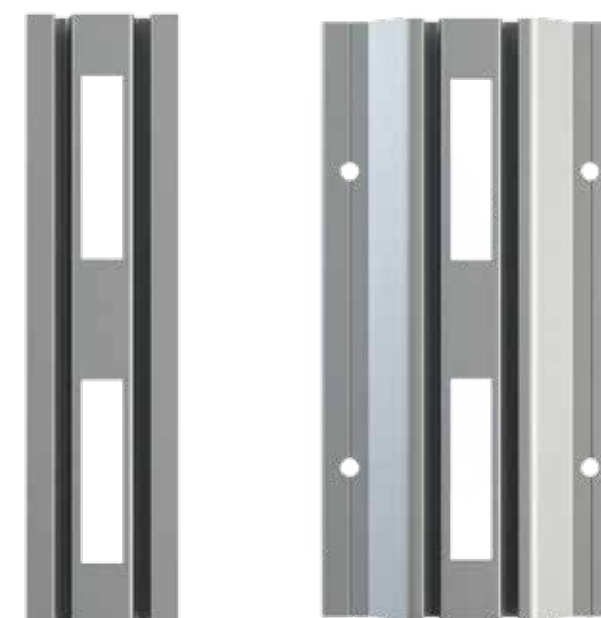
Note: Versa-A-Deck system is not interchangeable with Lift-A-Deck II System

VARIOUS BEAMS TOGETHER IN THE SAME SYSTEM AND AT THE SAME HEIGHT



TRACK

Standard 4 Inch Pitch Logistics Slots



50418 Series
Standard Single
Flush Mount Track.
Bonded Installation
Recessed in Wall Panel

50419 Series
Low Profile Single
Surface Mount Track.
Also available for
bonded installation.

BEAMS DECKING/SHORING

VERSATILE

System track accepts Vers-A-Deck Beams or E Beams.

SECURE

High strength design prevents beams from jamming in the track if hit by a forklift.

CONVENIENT

When not in use, beams conveniently store in the ceiling. No more beams left behind on loading docks.

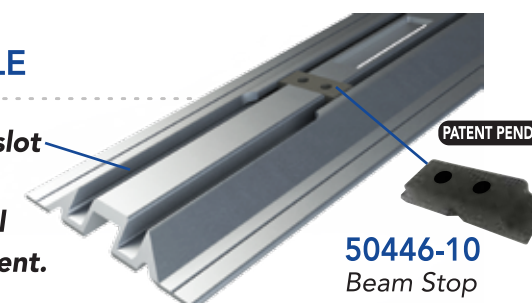
50420-10 Low Profile Beam

WLL Decking: 3,000 lbs / 1360 kgs
WLL Shoring: 2,000 lbs / 907 kgs
*Max Cargo: 750 lbs / 340 kgs
Length: 98.0 to 113.4 in / 249 to 288 cm
Weight: 19.6 lbs / 8.9 kgs



ACCESSIBLE

Beam access slot allows easy beam removal and replacement.



50446-10
Beam Stop

*Max cargo is the maximum recommended cargo weight per beam, to allow for expected 4G transport dynamics.