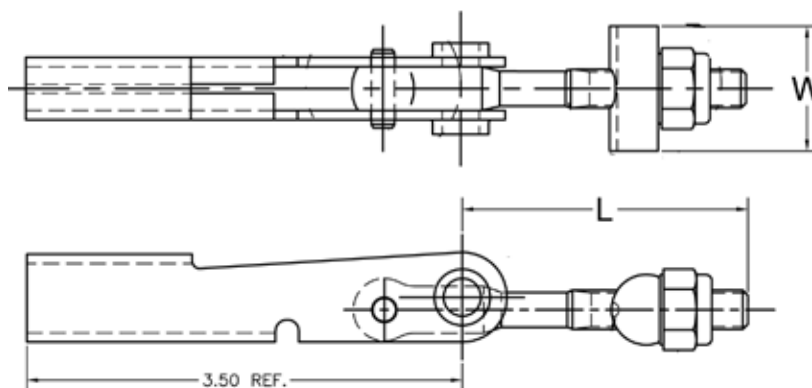


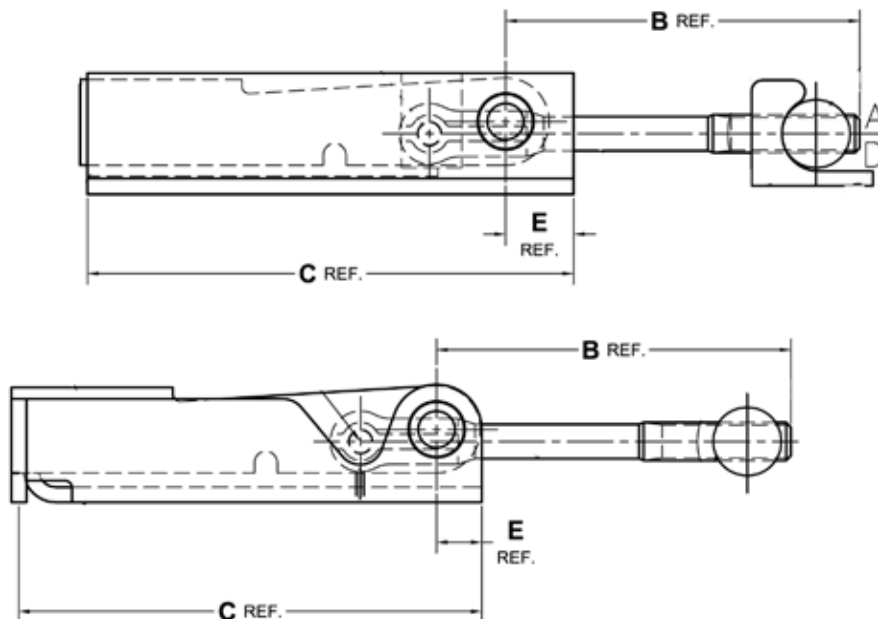
Blade Handle Latches

47199



Part No.	Spec Control No.	Load Capacity	L	W	Finish
47199-13	Navy 5167756-2 / 1885AS117-2	4500 Axial	2.92	1.00	Zinc/CAD
47199-14	Navy 5167756-3 / 1885AS117-3	4500 Axial	3.49	1.00	Zinc/CAD

44477



Part No.	Spec Control No.	Load Capacity	B	C	E	Finish
44477-10	808187-10 USAF	1500	2.92	4.00	0.56	CAD
44477-11	808187-30 & 808151-10 USAF	4000	1.92	3.87	0.37	CAD
44477-13	808187 Type YSAF	1500	2.92	4.00	0.56	CAD
44477-14	808187-70 USAF	4000	1.92	3.87	0.37	CAD
44477-16	X8394464-10 USAF	Depends on Cage	2.92	--	0.56	CAD

Finish
CAD
CAD
CAD
CAD
CAD
CAD