



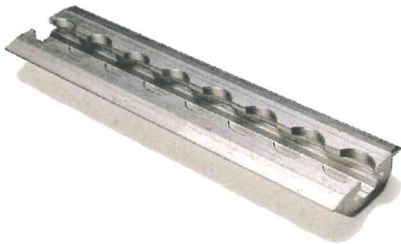
ANCRA INTERNATIONAL

NEW PRODUCT BULLETIN

SEAT TRACK

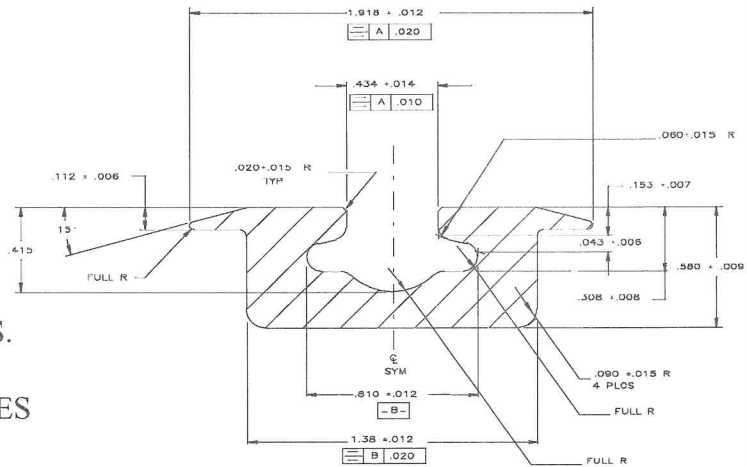
48967 RECESSED TRACK FOR WHEELCHAIR/SEAT SECUREMENT

BULLETIN 183 MARCH 1 1993



ANCRA INTERNATIONAL CORP, LEADING MANUFACTURER OF WHEELCHAIR TIEDOWN AND OCCUPANT RESTRAINT SYSTEMS ANNOUNCES A NEW FLUSH FLOOR TRACK DESIGN FOR WHEELCHAIR/SEAT SECUREMENT

48967-10-144 12' SECTION 6061 ALUMINUM TRACK IS RECESSED INTO FLOOR TO PROVIDE FLUSH MOUNT. IDEAL HEAVY DUTY TRACK FOR SOLVING O.E.M. AND RETRO-FIT MOUNTING PROBLEMS. THIS TRACK ALSO PREVENTS FLOOR BUCKLING AND ELIMINATES DIRT BUILDUP BETWEEN FLOOR AND TRACK.



STANDARD HD TRACK

40467-21-144

NOW MORE ECONOMICAL THAN EVER!
30 MPH, 20G CRASH TESTED,
AVAILABLE FROM STOCK.



TRACK COVER

48822-10-120

SNAPS FIRMLY INTO TRACK,
KEEPS DIRT AND DEBRIS OUT,
AVAILABLE FROM STOCK.

