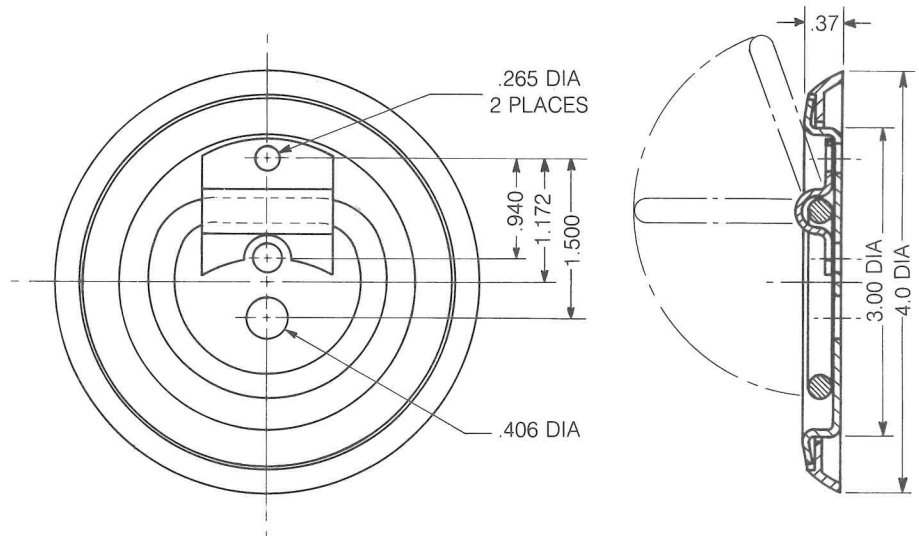
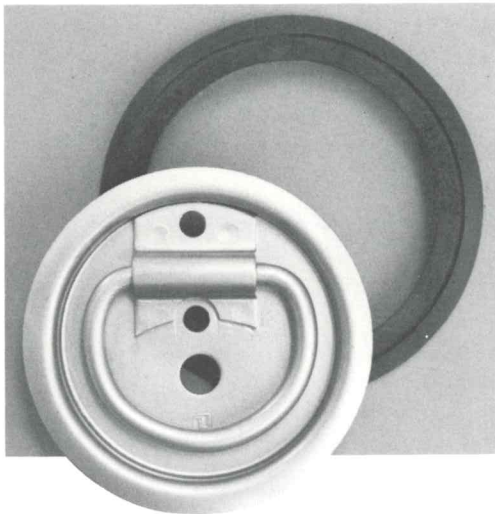


Pan Fittings



Standard

Standard pan fitting has a 1/4" diameter steel ring recessed in pan to eliminate projection. Pan fitting is designed to mount through 1/4" plywood to ribs and to be flush with body.

Overall Dia: 3 1/2"

Finish: Zinc plating, with gold chromate conversion coating for improved corrosion resistance.

Load Capacity: 1,200 lbs.

P/N 44701-11

Flush Mount

This pan fitting is supplied with a plastic collar for flush mount application, where there is insufficient room to cut a hole in the plywood. This unit comes with a .406 dia. hole, designed for use with Camcar fasteners in FRP applications.

Overall Dia.: 4"

Finish: Zinc plating, with gold chromate conversion coating for improved corrosion resistance.

Load Capacity: 1,200 lbs.

P/N 44701-10

Special Applications

Aircraft industry: pan fittings can be used in air cargo containers, and in overnight-express package delivery trucks as internal tie downs.